



*Citation for published version:*

Saxena, K, Jain, P & Bhakar, R 2014, Coordinated GEP and TEP integrating correlated solar generation and load. in *International Conference on Recent Advances and Innovations in Engineering, ICRAIE 2014.*, 6909286, IEEE, International Conference on Recent Advances and Innovations in Engineering, ICRAIE 2014, Jaipur, UK United Kingdom, 9/05/14. <https://doi.org/10.1109/ICRAIE.2014.6909286>

*DOI:*

[10.1109/ICRAIE.2014.6909286](https://doi.org/10.1109/ICRAIE.2014.6909286)

*Publication date:*

2014

*Document Version*

Peer reviewed version

[Link to publication](#)

## University of Bath

### Alternative formats

If you require this document in an alternative format, please contact:  
[openaccess@bath.ac.uk](mailto:openaccess@bath.ac.uk)

#### General rights

Copyright and moral rights for the publications made accessible in the public portal are retained by the authors and/or other copyright owners and it is a condition of accessing publications that users recognise and abide by the legal requirements associated with these rights.

#### Take down policy

If you believe that this document breaches copyright please contact us providing details, and we will remove access to the work immediately and investigate your claim.

# Coordinated GEP and TEP Integrating Correlated Solar Generation and Load

Kritika Saxena<sup>1</sup>, Rohit Bhakar<sup>2</sup> and Prerna Jain<sup>1</sup>

<sup>1</sup>Department of Electrical Engineering, Malaviya National Institute of Technology Jaipur, India

<sup>2</sup>Faculty of Engineering & Design, University of Bath, Bath, UK

kritikasaxena81189@gmail.com, r.bhakar@bath.ac.uk, prerna7412@gmail.com

**Abstract**— Considering the uncertainties associated with the daily profiles of solar power generation and loads, this paper offers modelling to reflect their correlation. Probability distributions are modelled for all uncertain parameters for each hour and respective hourly scenarios are generated by Monte Carlo simulation. These scenarios are then integrated in Coordinated Generation Expansion Planning (GEP) and Transmission Expansion Planning (TEP) framework which offers optimal solution for system expansion. A comparative study reflects the difference in decisions making, with varying load profile.

**Index Terms**—Bender Decomposition, Coordinated Planning, Generation Expansion Planning, Solar Generation Uncertainties, Transmission Expansion Planning.

## I. INTRODUCTION

Growing need for electricity as a form of energy leads to expansion of existing power system. This expansion requires significant investment for installation of new generators and transmission lines. So it becomes necessary for system planners to select an optimal plan based on location, size, siting, *etc.*

Conventionally, GEP and TEP problems are solved independently. However, investment decisions for both problems are dependent on each other. So, a coordinated approach of the two problems is justified, which not only eliminates sub-optimal investment plans for system planning but also reduces the loss of economic benefits [1]-[3].

Emerging technologies for increasing system efficiency and sustainable development concerns are rapidly finding reflection in power system planning. Concern over environmental issues, reduction of carbon foot prints, and elimination of fossil fuel based generation have led to a quantum increase in generation from renewable sources such as solar and wind.

Wind energy and its volatility related issues have attracted quantum reflection in power system planning as it is abundantly available [2],[4],[5]. Countries in equatorial region

receive ample and direct solar irradiation for most part of year and have less wind mass due to negative correlation between wind and solar irradiation. Furthermore, partial positive correlation between load and solar power generation has made solar an attractive option for power generation. Renewable standard requirement, fuel diversification, cost stability, geographical dispersal benefits, PV modularity are some added advantages of using solar power. Its grid penetration is incessantly growing and it would be contemporary to account solar generation in power system expansion planning.

The quantum of power generated by a solar plant is highly variable throughout the day and becomes uncertain due to clouds, rains, *etc.* Additionally, power generation from solar plants during night hours reduces to zero. This becomes a critical issue for planning of power systems. Consideration of uncertainty of solar generation requires considerate modelling. Load variation over the daily cycle is also intuitive. Making an allowance for load as constant, with minor deviation, may lead to incorrect decisions. Consideration of actual load profiles, which carry the correlation information with generation is necessary and can yield optimal planning [7],[8].

This paper proposes a model to incorporate solar power generation and their associated uncertainties in a coordinated GEP and TEP framework with considerations of realistic load profiles.

## II. UNCERTAINTY MODELLING

System parameters associated with power systems are continuously varying, and their future state is uncertain but can be assessed probabilistically. This can be achieved by formulation of scenarios which depict possible outcome of uncertain parameters like solar power generation and load.

Studies on daily solar generation and load profiles indicate the existence of partial positive correlation between them. This is supported by the fact that ramps of solar power and load are positive in early morning, while the solar generation and load are at their peak during the day time. This correlation information becomes implicit, when the modelling of uncertainties is done on hourly basis as it

creates a random daily profile based on historical data which already holds information on correlation [7],[8].

#### A. Solar generation modelling

Historical data over five years for a candidate site are collected for a particular day. Data represents mean hourly solar irradiation, and its mean ( $\mu$ ) and standard deviation ( $\sigma$ ) are computed for each hour. Uncertainty of solar irradiation is then modelled using beta distribution function for each hour, as shown in equation (1)

$$f(s) = \begin{cases} \frac{\Gamma(\alpha + \beta)}{\Gamma\alpha\Gamma\beta} * s^{\alpha-1} * (1-s)^{\beta-1} & \text{for } 0 \leq s \leq 1, \alpha \geq 0, \beta \geq 0 \\ 0 & \text{otherwise} \end{cases} \quad (1)$$

Where  $s$  is solar irradiation in kW/m<sup>2</sup>,  $\alpha$  and  $\beta$  are parameters of beta distribution function and their values are deduced using equations (2) and (3).

$$\beta = (1 - \mu) * \left( \frac{\mu * (1 + \mu)}{\sigma^2} - 1 \right) \quad (2)$$

$$\alpha = \frac{\mu * \beta}{1 - \mu} \quad (3)$$

Output power of solar plant  $P_s$  is a function of solar irradiance and ambient temperature  $T_a$  at the site, as well as the characteristics and number of the modules,  $N$ . This is given by

$$P_s = N * FF * V_y * I_y \quad (4)$$

Where

$$I_y = s * I_{SC} + k_c (T_c - 25) \quad (5)$$

$$V_y = V_{OC} - k_v * T_c \quad (6)$$

$$T_c = T_a + s \frac{N_{ot} - 20}{0.8} \quad (7)$$

$$FF = \frac{V_{MPP} * I_{MPP}}{V_{OC} * I_{SC}} \quad (8)$$

$I_{MPP}$  and  $V_{MPP}$  are the current and voltage at maximum power point.  $V_{OC}$  is open circuit voltage and  $I_{SC}$  is short circuit current.  $k_c$  and  $k_v$  are the current temperature coefficient and voltage temperature coefficient [6],[9],[10].

#### B. Load modelling

Uncertain load is modelled with normal distribution function. Conventionally, a single normal distribution function is modelled representing constant daily load profile. For accounting correlation between generation and load, modelling is done on hourly basis, having different mean and standard deviation for each hour, pertaining to daily load profiles. In such a case, there would be 24 distribution functions reflecting load at each hour of a day. Historical load profiles are taken into consideration to compute hourly mean and standard deviation [3].

#### C. Scenario generation

Monte Carlo simulation is used to capture the uncertain behavior of load and solar generation. On the modelled beta distribution and normal distribution functions, thousand random numbers are generated depicting possible future solar insolation and load values for each hour. These scenarios are then reduced to a few tens, associated with their outcome probability. The output scenarios for solar power represents the maximum generation for the particular hour and scenario.

### III. COORDINATED GEP AND TEP

Investment in generation forms a quantum part of overall system investment, necessitating considerations of investment cost, operation and maintenance cost, type, size, siting, timing of units for capacity addition, demand and network configuration, for planning new generating capacities. Network configuration is again subject to addition of new transmission lines whose decisions are made by transmission expansion planning. TEP decisions are based on flow capacities of lines, location of generators, their operational cost and generation level. So, coordination of generation and transmission expansion planning problem is justified to give optimal solution rather than consideration of both the objectives separately.

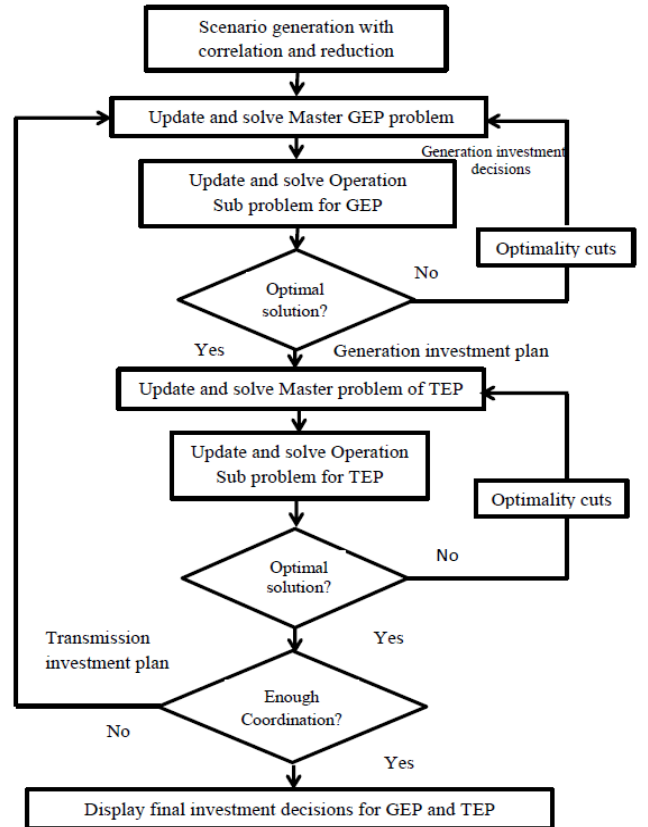


Figure 1. Coordinated GEP and TEP algorithm

GEP and TEP are mixed integer linear problems and can be solved by Benders Decomposition. It is an iterative technique between a master and slave problem, which allows taking integer decisions with addition of new constraints in master problem at the end of each iteration. These new constraints are benders optimality cuts which are formulated by calculation of marginal or dual values while solving the slave problem.

Fig. 1 sketches the coordinated GEP and TEP algorithm [2]. Generation resource planning is solved with an assumption that all candidate lines exist in system. The master problem of GEP minimizes the investment cost to give lower bound of GEP solution. The operation slave problem minimizes the hourly system running cost for each scenario to give upper bound of solution. Solution is achieved when upper bound and lower bound converge. The final capacity planning decision  $X$  is passed on to TEP problem as updated system information on generation. On similar note, master problem of TEP minimizes the investment cost for candidate transmission lines and slave problem minimizes hourly system operation cost for all scenarios. The investment decision of transmission is captured in  $Y$  and passed to GEP, serving as an update on network configuration. Iterations between GEP and TEP continue so on to get optimal investment strategy for both generation and transmission and terminate when there is no significant change in planning decisions in consecutive iteration.

#### A. Generation Expansion Planning

The problem of GEP is decomposed into two problems. The master problem is (9) minimizes the investment cost ( $IG$ ) of  $i$  candidate generators by satisfying the system constraints.  $X$  is the binary investment decision variable.

$$\text{Min } zg \geq \sum_{i=1}^{CG} IG_i * X_i \quad (9)$$

Subject to constraints:

$$\sum_{i=1}^{EG} P_{G,\max} + \sum_{i=1}^{CG} P_{G,\max} * X_i \geq \sum_{b=1}^B d_b \quad \forall s \forall h \quad (10)$$

$$zg \geq \sum_{i=1}^{CG} IG * X_i + w^{kg} + \sum_{i=1}^{NG} \sum_{h=1}^{24} \sum_{s \in S} PR_s \left[ \pi_{ish}^{kg} P_{G,\min} (X_i - X_i^{kg}) - \underline{\pi}_{ihs}^{kg} P_{G,\max} (X_i - X_i^{kg}) \right] \quad (11)$$

$$zg \geq 0 \quad (12)$$

$$0 \leq X_i \leq \overline{X}_j \quad (13)$$

Constraint (10) ensures that the total maximum generation  $P_{G,\max}$  from existing,  $EG$  and candidate generators,  $CG$  must be greater than the total load demand,  $d$  at all buses,  $b$  for all system scenarios  $S$ , and hours,  $h$ .  $zg$  is a state variable which represents the total system investment cost and the production cost ( $w$ ). Constraint (11) is Benders optimality cut where  $\pi_{ish}^{kg}$ ,  $\underline{\pi}_{ihs}^{kg}$  are the Langrange's dual multipliers of (17) and (18), and  $kg$  is the number of previous GEP Bender's iterations. Constraint (12) ensures that  $zg$  must be a positive

value. Constraint (13) defines the range of investment variable.

$$\text{Min } w^{kg} = \sum_{s \in S} \sum_{h=1}^{24} \sum_{i=1}^{NG} PR_s * OC_i * P_{G_{h,i,s}} \quad (14)$$

Subject to

$$Sf + p + r = d \quad \forall s \forall h \quad (15)$$

$$f_{mn} - \gamma_{mn} (\theta_m - \theta_n) = 0 \quad \forall s \forall h \quad (16)$$

$$-PL_{j,\max} \leq f_{mn} \leq PL_{j,\max} \quad \forall s \forall h \quad (17)$$

$$P_{G_{i,\min}} \leq P_{G_{i,s}} \leq P_{G_{i,\max}} \quad \forall s \forall h \quad (18)$$

$$0 \leq r \leq d \quad \forall s \forall h \quad (19)$$

$$P_{G_{i,s}} \leq P_{G_{i,\min}} * X_i \quad \pi_{ihs}^{kg} \quad \forall s \forall h \quad (20)$$

$$P_{G_{i,s}} \geq P_{G_{i,\max}} * X_i \quad \underline{\pi}_{ihs}^{kg} \quad \forall s \forall h \quad (21)$$

GEP slave problem (14)-(21) minimizes the operating cost  $w$  for all 24 hours and scenarios having probability  $PR_s$  associated with respective scenario.  $OC$  is the operating cost and  $P_G$  is the level of generation for all existing and selected candidate generating unit,  $i$ . Constraint (15) is nodal power balance equation where  $S$  is branch to node incident matrix,  $p$  is vector of power generated at each bus and  $r$  is the level of load curtailment. Constraint (16) is DC load flow equation where  $f$  is the power flow in transmission line,  $\gamma$  is susceptance of line and  $\theta$  is the bus angles of buses  $m$  and  $n$ . Constraint (17) limits the power flow between maximum and minimum capacity of transmission line. Similarly, (18) limits the generation level of existing generators  $EG$  between minimum and maximum limit. Constraint (19) keeps the load curtailment level between the maximum peak demand and zero. Constraints (20) and (21) limit the level of generation between minimum  $P_{G,\min}$  and maximum  $P_{G,\max}$  limits for candidate generators.

#### B. Transmission Expansion Planning

The objective of master problem (22)-(25) of TEP is to minimize the investment cost,  $IL$  for candidate transmission lines,  $CL$ .  $Y$  is the binary decision variable for  $j$  transmission line.

$$\text{Min } zt \geq \sum_{j=1}^{CL} IL_j * Y_j \quad (22)$$

Subject to constraints:

$$zt \geq \sum_{j=1}^{CL} IL_j * Y_j + w^{kt} + \sum_{s \in S} \sum_{h=1}^{24} \sum_{j=1}^{CL} PR_s \left[ (\alpha_{jhs}^{kt} + \underline{\alpha}_{jhs}^{kt}) PL_{j,\max} (Y_j - Y_j^{kt}) \right] - \sum_{s \in S} \sum_{h=1}^{24} \sum_{j=1}^{CL} PR_s \left[ (\beta_{jhs}^{kt} + \underline{\beta}_{jhs}^{kt}) M_j (Y_j - Y_j^{kt}) \right] \quad (23)$$

$$zt \geq 0 \quad (24)$$

$$0 \leq Y_j \leq \overline{Y}_j \quad (25)$$

State variable  $z_t$  represents the investment cost and production cost. Equation (23) is benders optimality cut.  $\bar{\alpha}_{jhs}^{kt}$ ,  $\underline{\alpha}_{jhs}^{kt}$ ,  $\bar{\beta}_{jhs}^{kt}$  and  $\underline{\beta}_{jhs}^{kt}$  are dual values for equations (26)-(29). Constraint (24) ensures that investment made is a positive value. Constraint (25) decides the range of investment variable.  $kt$  is the number of previous TEP bender's iteration.

$$f_{mn} - \gamma_{mn}(\theta_m - \theta_n) \leq M(1 - Y_{jt}) \quad \bar{\alpha}_{jhs}^{kt} \quad \forall s \quad \forall h \quad (26)$$

$$-(f_{mn} - \gamma_{mn}(\theta_m - \theta_n)) \leq M(1 - Y_{jt}) \quad \underline{\alpha}_{jhs}^{kt} \quad \forall s \quad \forall h \quad (27)$$

$$f_{mn} \leq PL_{j,\max} * Y_{jt} \quad \bar{\beta}_{jhs}^{kt} \quad \forall s \quad \forall h \quad (28)$$

$$-f_{mn} \leq PL_{j,\max} * Y_{jt} \quad \underline{\beta}_{jhs}^{kt} \quad \forall s \quad \forall h \quad (29)$$

Where  $M$  is a large positive number.

#### IV. CASE STUDY

The proposed coordinated planning framework with solar and load is simulated on a modified IEEE 30 bus system and is implemented in GAMS® software. Historical data for solar insolation and Load profiles is acquired from National Renewable Energy Laboratory [7].

Generation, line and bus data for modified IEEE 30 bus system are shown in Table I to Table III. Existing line data is taken from [3]. All the solar generators are made up of same PV module and its characteristics are shown in Table IV.

TABLE I. GENERATION DATA

Unit	Bus	Capacity (MW)	Type	Investment Cost (k\$)	Operating Cost (\$/MW)
G1	1	200	Thermal	Existing	56
G2	2	100	Thermal	Existing	59
G3	5	50	Thermal	6000	1
G4	8	30	Solar	180	1
G5	11	20	Thermal	3000	60
G6	13	30	Solar	240	1
G7	15	20	Solar	180	1
G8	19	20	Solar	120	1
G9	20	20	Solar	120	1
G10	29	25	Solar	150	1
G11	30	20	Solar	120	1

TABLE II. CANDIDATE TRANSMISSION LINE DATA

Line	From - To	Capacity (MW)	X (p.u.)	Cost (k\$)	Line	From - To	Capacity (MW)	X (p.u.)	Cost (k\$)
L42	4-12	30	0.25	300	L46	2-5	65	0.173	975
L43	5-7	30	0.20	450	L47	1-3	65	0.185	585
L44	15-27	30	0.14	420	L48	1-2	65	0.057	520
L45	7-8	30	0.11	240					

TABLE III. LOAD DATA

Bus	Load (MW)	Bus	Load (MW)	Bus	Load (MW)
B1	0	B11	0	B21	18
B2	22	B12	12	B22	0
B3	6	B13	0	B23	8
B4	15	B14	6	B24	18
B5	100	B15	9	B25	0
B6	0	B16	10	B26	4
B7	24	B17	9	B27	0
B8	30	B18	4	B28	0
B9	0	B19	10	B29	3
B10	20	B20	3	B30	11

TABLE IV. PV MODULE SPECIFICATION

Watt Peak (W)	50
Open circuit Voltage (V <sub>OC</sub> )	55.5
Short Circuit Current (I <sub>SC</sub> )	1.80
Voltage at maximum power (V <sub>MPP</sub> )	38
Current at maximum power (I <sub>MPP</sub> )	1.32
Voltage temperature coefficient (k <sub>V</sub> )	194
Current temperature coefficient (k <sub>C</sub> )	1.40
Nominal operating temperature	43

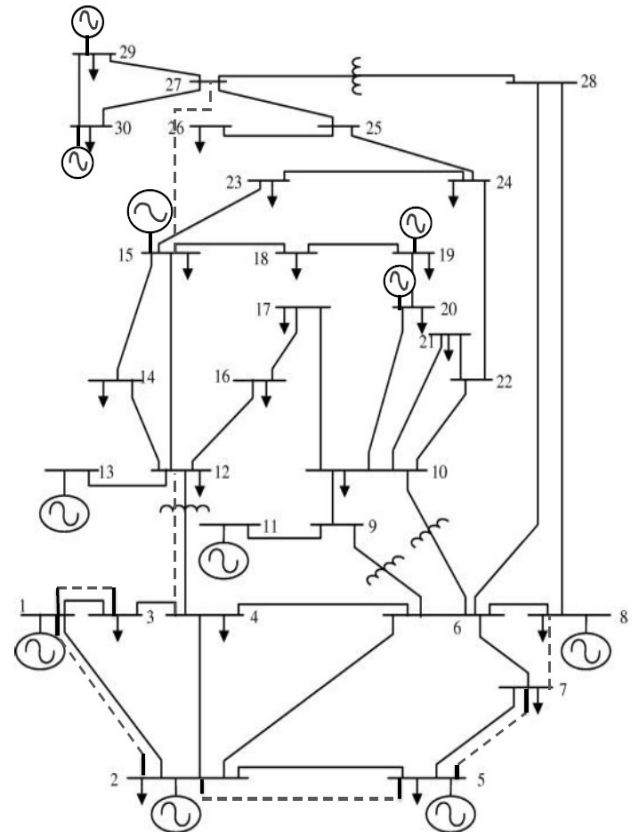


Figure 2. Modified IEEE 30 bus system

On the basis of load modelling, two separate cases are considered. Case 1 considers a flat load profile where load is constant throughout the day. In Case 2, actual load profiles are considered and hourly scenarios are generated. This results in low load demands during night hours and high demand during day time.

Final investment strategies for GEP and TEP are shown in Table V and VI. In Case 1, one thermal generator and two solar based generators are selected for installation. Due to constant load throughout the day, high capacity thermal generator is invested to meet the load in night hours. In Case 2, one low capacity thermal generator and three solar generators are selected. During night hours, demand is low and is met by existing thermal generators and low capacity thermal generator G5, while in day time rise in peak demand is satisfied by three solar generators. Transmission lines L42, L46 and L48 are invested for both cases. L45 is not installed in Case 2, as generator G4 is installed to meet the demand at bus 8.

TABLE V. GENERATION INVESTMENT DECISIONS

	G3	G4	G5	G6	G7	G8	G9	G10	G11
Case 1	1	0	0	0	1	0	0	0	1
Case 2	0	1	1	0	1	0	0	0	1

TABLE VI. TRANSMISSION INVESTMENT DECISIONS

	L42	L43	L44	L45	L46	L47	L48
Case 1	1	0	0	1	1	0	1
Case 2	1	0	0	0	1	0	1

In Table VII, investment cost and production cost for the two cases are compared. In Case 1, investment in G3 led the total investment cost to be higher than in Case 2. Operation and production cost substantially declined from Case 1 to Case 2 due to more number of investment in low running cost solar generation.

TABLE VII. COMPARISON OF INVESTMENT AND PRODUCTION COST

	Generation Investment cost (k\$)	Transmission Investment cost (k\$)	Total Investment cost (k\$)	Production Cost (k\$/hr)
Case 1	6300	2035	8335	22.325
Case 2	3480	1795	5275	20.589

## V. CONCLUSION

Solar power generation and its associated uncertainties are modelled and integrated in coordinated planning framework, leading to optimal investment strategies. With the use of solar generators, there is significant reduction in thermal generator investment, as well as in average operation and production cost. Consideration of partial positive correlation of solar energy and load, by using actual generation and load profiles, provides economic benefits in planning. There can be substantial disparity in decision with a variation of load profiles which differ from place to place.

## ACKNOWLEDGEMENT

The authors acknowledge the financial support by DST Grant No. SERB/F/3486/2012-2013.

## REFERENCES

- [1] J. H. Roh, M. Shahidehpour and L. Wu, "Market-based generation and transmission planning with uncertainties," *IEEE Trans. Power Syst.*, vol. 24, no. 3, pp. 1587-1598, Aug. 2009.
- [2] Y. Gu, J. D. McCalley and M. Ni, "Coordinating large-scale wind integration and transmission planning," *IEEE Trans. Sustainable Energy*, vol. 3, no. 4, pp. 652-659, Oct. 2012.
- [3] J. H. Roh, M. Shahidehpour and Y. Fu, "Market-based coordination of transmission and generation capacity planning," *IEEE Trans. Power Syst.*, vol. 22, no. 4, pp. 1406-1419, Nov. 2007.
- [4] H. Park and R. Baldick, "Transmission planning under uncertainties of wind and load: Sequential approximation approach", *IEEE Trans. Power Syst.*, vol. 28, no. 3, pp. 2395-2402, Aug. 2013.
- [5] G. A. Orfanos, P. S. Georgilakis and N. D. Hatziaargyriou "Transmission expansion planning of systems with increasing wind power integration", *IEEE Trans. Power Syst.*, vol. 28, no. 2, pp. 1355-1362, May 2013.
- [6] Miao Fan, Vijay Vittal, Gerald T. Heydt and Raja Ayyar "Probabilistic power Flow Analysis with Generation Dispatch Including photovoltaic Resources", *IEEE Trans. Power Syst.*, vol.28, no.2, pp. 1797-1805, May 2013.
- [7] John Sterling, Joyce McLaren, Mike Taylor and Karlyn Cory, "Treatment of Solar Generation in Electric Utility Resource Planning", Golden CO, NREL, Tech. Rep. TP-6A20-60047, October 2013.
- [8] Christy Herig, "Using Photovoltaic to Preserve California's Electricity Capacity Reserves", Golden CO, NREL, Tech. Rep. BR-520—31179, Sept. 2011.
- [9] E. Ferrario and A. Pini. "Uncertainty Analysis of a model of an energy distribution System with solar panel generation by Time-Varying Data analysis, Monte Carlo Simulation and Fuzzy Interval Analysis", *ESERL* 2013, Amsterdam.
- [10] Y.M. Atwa, E.F El saadani, M.M.A. Salama and R. Seethapathy, "Distribution System Loss Minimization Using optimal DG Mix", *IEEE PES, General Meeting*, 2009.